

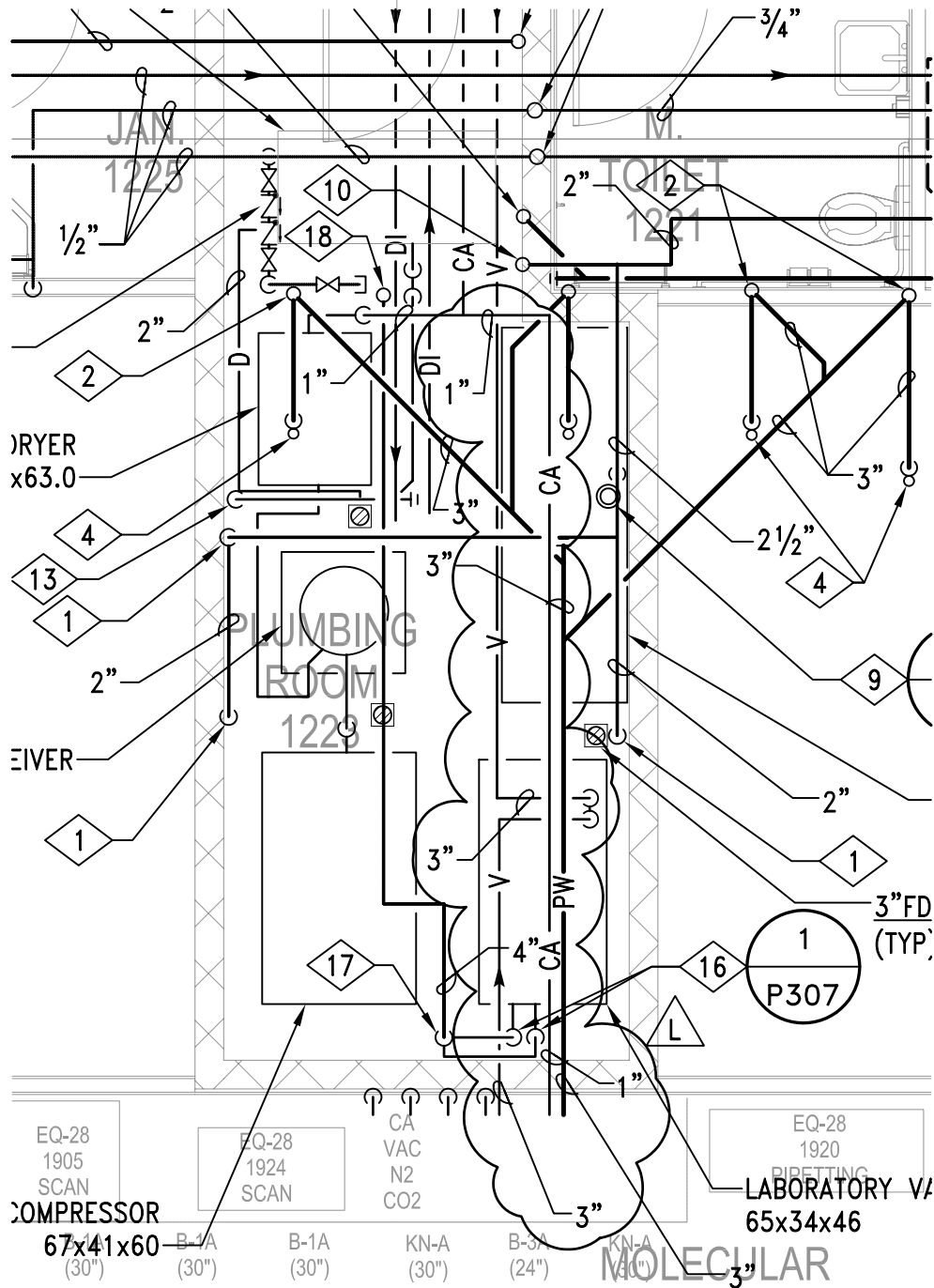




REVISIONS ADDENDUM L	TITLE FIRST FLOOR PLUMBING PLAN - CSF	
DATE 11/12/08	PROJECT BATTELLE BIOLOGICAL AND COMPUTATIONAL SCIENCES FACILITY	
KAPLAN McLAUGHLIN DIAZ ARCHITECTS / PLANNERS 1011 WESTERN AVE, SUITE 1011 SEATTLE, WA 98104 TEL 206.467.1004 FAX 206.467.1023	 FLACK+KURTZ 600 University St. Suite 500 Seattle, WA 98101-4132 Tel. (206) 342-9900 Fax. (206) 342-9901  A WSP Group company	REFERENCE PSK-04 SHEET P2.13

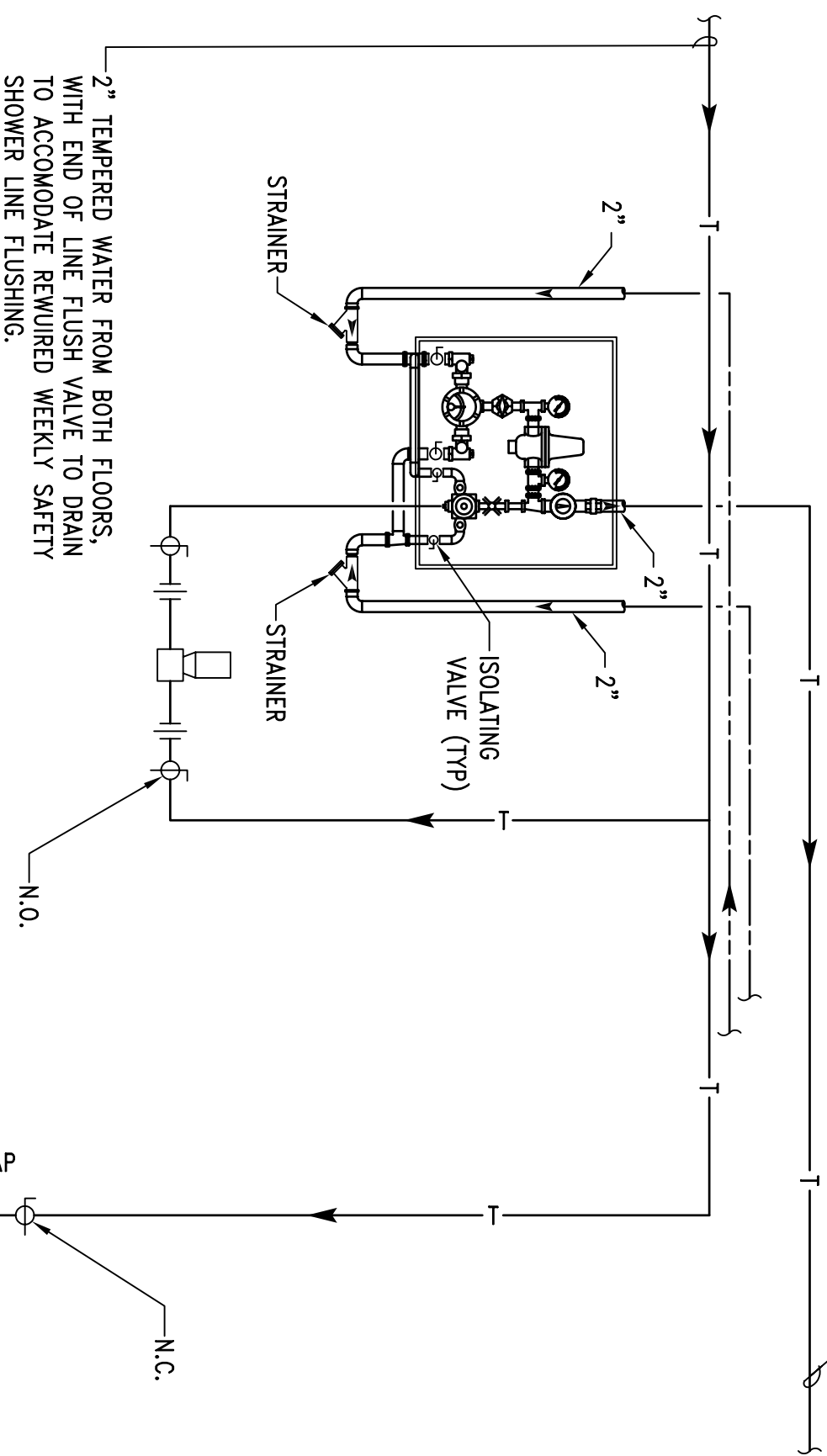
BD.4

B5

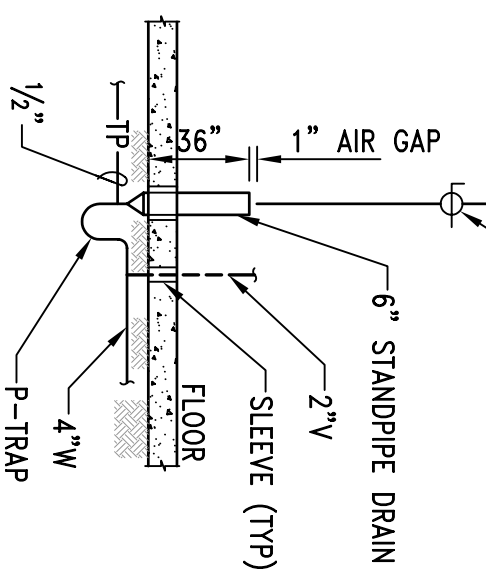


REVISIONS ADDENDUM L	TITLE FIRST FLOOR ENLARGED PLUMBING PLAN - BSF	
DATE 11/12/08	PROJECT BATTELLE BIOLOGICAL AND COMPUTATIONAL SCIENCES FACILITY	
KAPLAN McLAUGHLIN DIAZ ARCHITECTS / PLANNERS 1011 WESTERN AVE, SUITE 1011 SEATTLE, WA 98104 TEL 206.467.1004 FAX 206.467.1023	 FLACK+KURTZ 600 University St. Suite 500 Seattle, WA 98101-4132 Tel. (206) 342-9900 Fax. (206) 342-9901  A WSP Group company	REFERENCE PSK-05 SHEET P6.02

2" TEMPERED WATER SERVING SECOND FLOOR, FIRST FLOOR EMERGENCY SHOWERS & EYEWASHERS



2" TEMPERED WATER FROM BOTH FLOORS, WITH END OF LINE FLUSH VALVE TO DRAIN TO ACCOMMODATE REWURED WEEKLY SAFETY SHOWER LINE FLUSHING.



7

7

TEMPERED WATER FLUSHING
DETAIL

NO SCALE

4

KAPLAN McLAUGHLIN DIAZ
ARCHITECTS / PLANNERS
1011 WESTERN AVE, SUITE 1011
SEATTLE, WA 98104
TEL 206.467.1004
FAX 206.467.1023

FK FLACK+KURTZ
600 University St, Suite 500
Seattle, WA 98101-4132
Tel. (206) 342-9900
Fax. (206) 342-9901

REVISIONS
ADDENDUM L
DATE 11/12/08

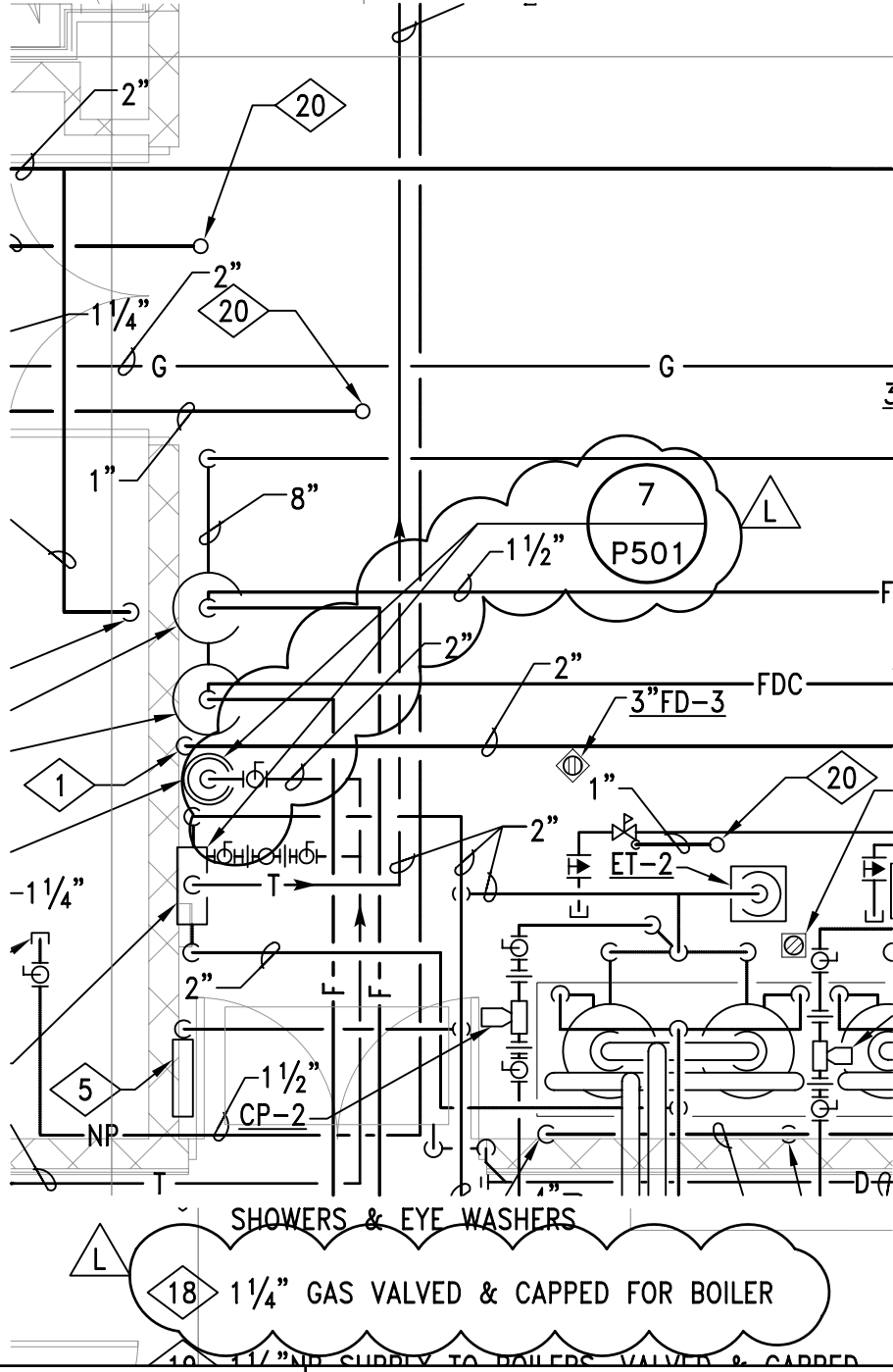
TITLE
PLUMBING DETAILS



PROJECT
BATTELLE BIOLOGICAL AND COMPUTATIONAL SCIENCES FACILITY

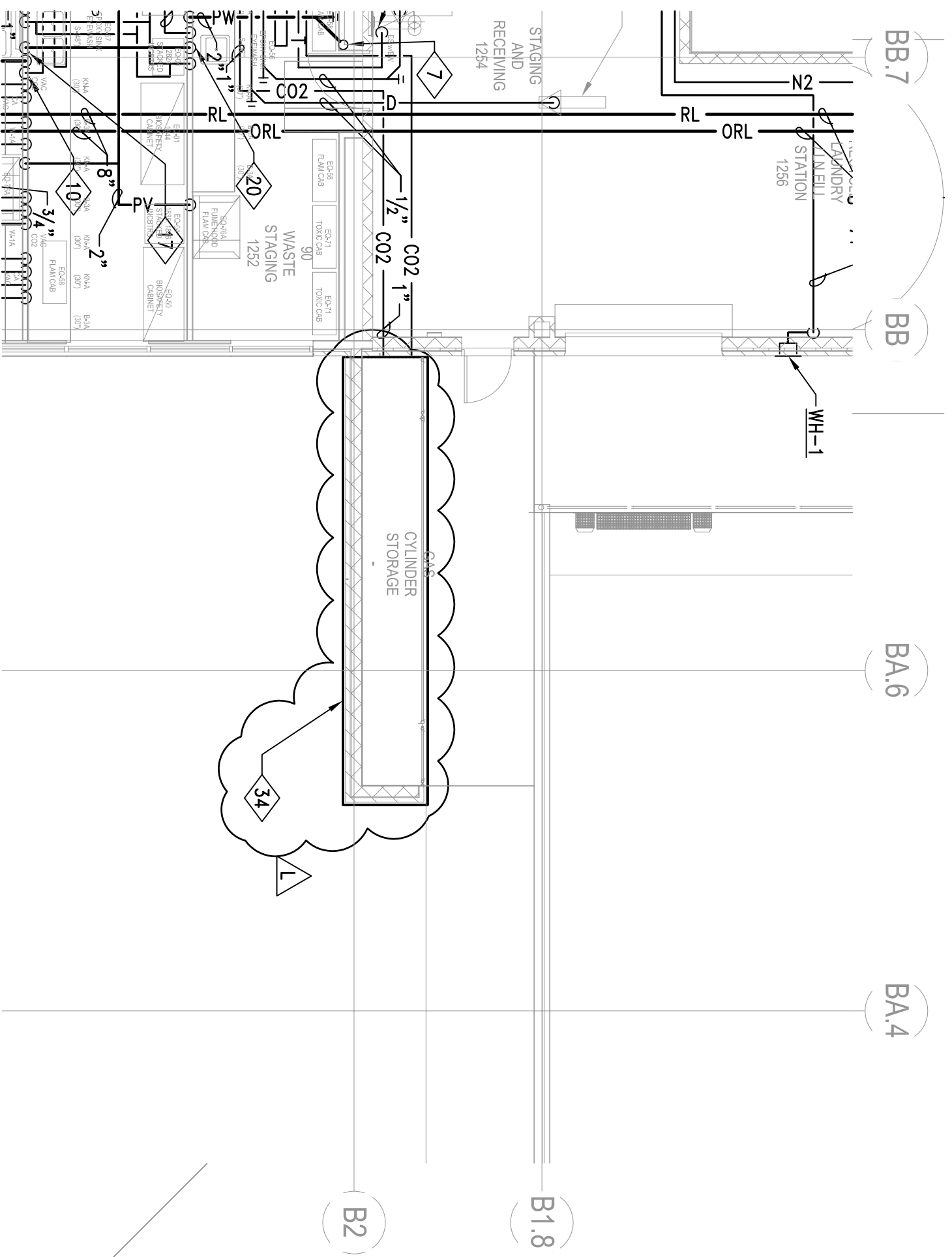
REFERENCE
PSK-06
SHEET
P5.01

BB

B8



<p>REVISIONS ADDENDUM L</p>	<p>TITLE FIRST FLOOR ENLARGED PLUMBING PLAN - BSF</p>	
<p>DATE 11/12/08</p>	<p>PROJECT BATTELLE BIOLOGICAL AND COMPUTATIONAL SCIENCES FACILITY</p>	
<p>KAPLAN McLAUGHLIN DIAZ ARCHITECTS / PLANNERS 1011 WESTERN AVE, SUITE 1011 SEATTLE, WA 98104 TEL 206.467.1004 FAX 206.467.1023</p>	 <p>FLACK+KURTZ 600 University St. Suite 500 Seattle, WA 98101-4132 Tel. (206) 342-9900 Fax. (206) 342-9901</p>  <p>A WSP Group company</p>	<p>REFERENCE PSK-07</p> <p>SHEET P6.01</p>



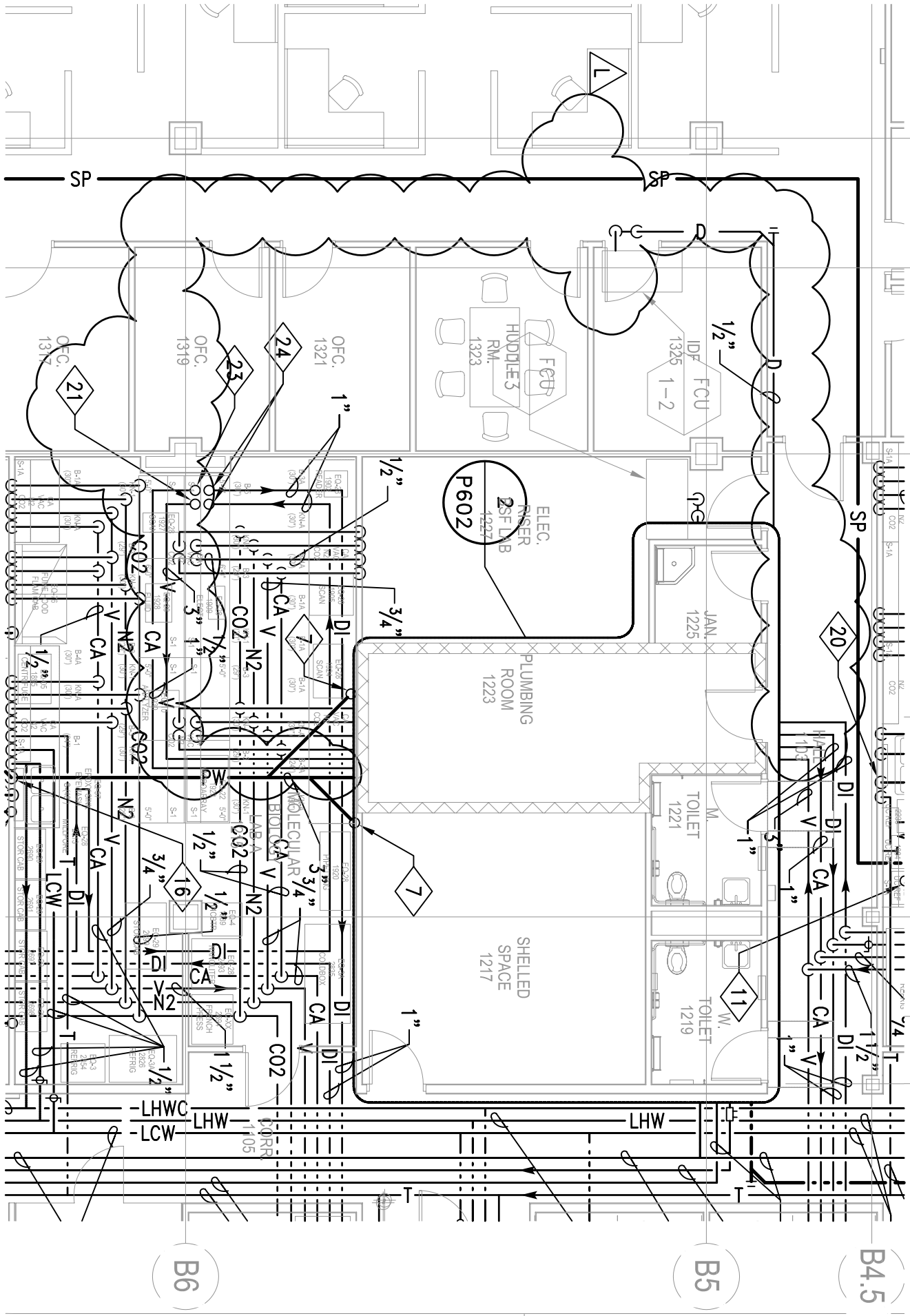
3/4" CO2 SUPPLY UP
 34 SEE HAMILTON CONCEPT FOR EXTERIOR CYLINDER STORAGE AREA

KAPLAN McLAUGHLIN DIAZ
 ARCHITECTS / PLANNERS
 1011 WESTERN AVE, SUITE 1011
 SEATTLE, WA 98104
 TEL 206.467.1004
 FAX 206.467.1023

FK FLACK+KURTZ
 600 University St. Suite 500
 Seattle, WA 98101-4132
 Tel. (206) 342-9900
 Fax. (206) 342-9901
A PSC Group Company

REVISIONS	TITLE
ADDENDUM L	FIRST FLOOR PLUMBING PLAN - BSF
DATE	PROJECT
11/12/08	BATTELLE BIOLOGICAL AND COMPUTATIONAL SCIENCES FACILITY

REFERENCE SHEET
PSK-08
P2.11



KAPLAN McLAUGHLIN DIAZ
 ARCHITECTS / PLANNERS
 1011 WESTERN AVE, SUITE 1011
 SEATTLE, WA 98104
 TEL 206.467.1004
 FAX 206.467.1023

FK FLACK+KURTZ
 600 University St. Suite 500
 Seattle, WA 98101-4132
 Tel. (206) 342-9900
 Fax. (206) 342-9901
A PSC Group Company

REVISIONS	TITLE
ADDENDUM L	FIRST FLOOR PLUMBING PLAN - BSF
DATE 11/12/08	PROJECT BATTELLE BIOLOGICAL AND COMPUTATIONAL SCIENCES FACILITY

REVISIONS	TITLE
ADDENDUM L	FIRST FLOOR PLUMBING PLAN - BSF
DATE 11/12/08	PROJECT BATTELLE BIOLOGICAL AND COMPUTATIONAL SCIENCES FACILITY

REFERENCE SHEET
PSK-09
 SHEET
P2.11