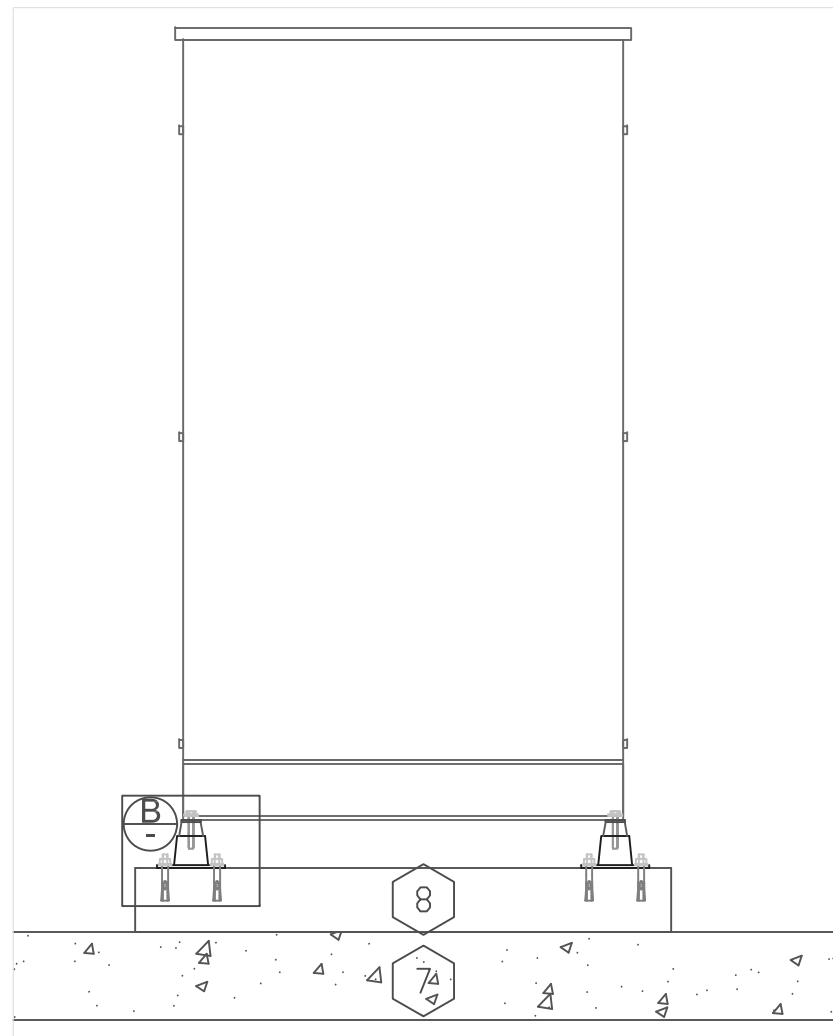


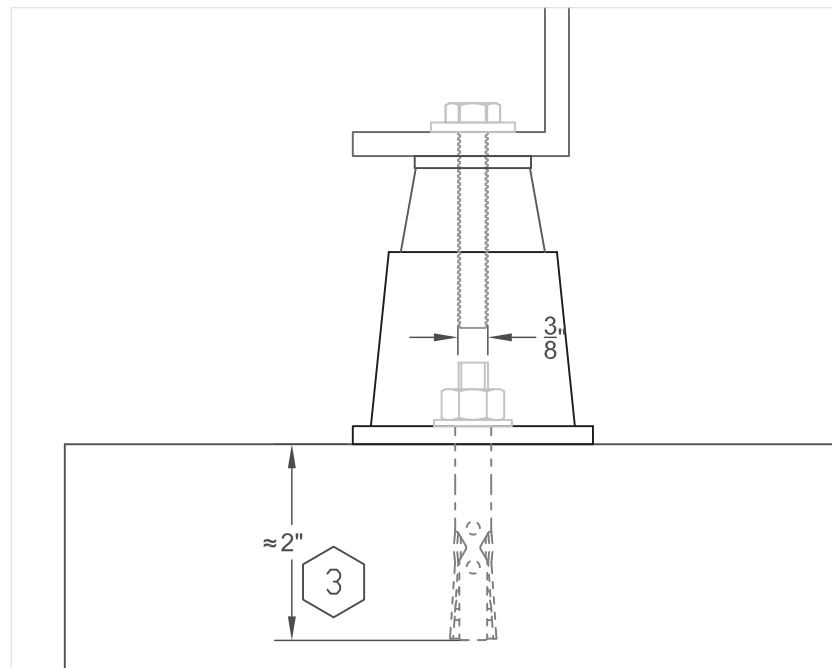
Front View

Scale: 1"=1'



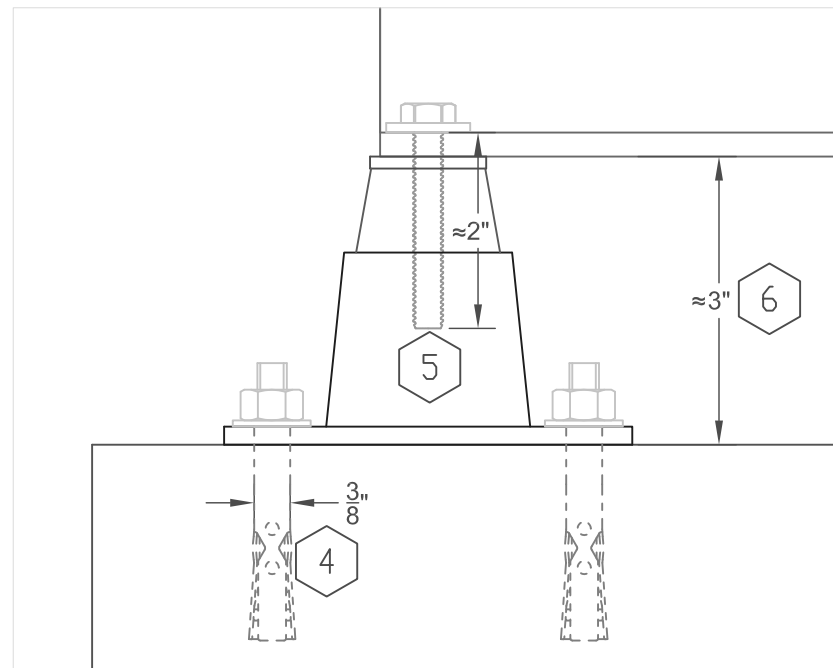
Side View

Scale: 1"=1'



Detail A

Scale: 6"=1'



Detail B

Scale: 6"=1'

Drawing Notes:

- 1 Typical transformer, 225 kVA size shown.
- 2 Type BRA vibration isolator (previously submitted):
 - Red for 15-30 kVA transformers
 - White for 112.5 kVA transformers
 - Yellow for 225 kVA transformer
- All sizes have the same dimensions, the density of the neoprene is different.
- 3 Wedge stud anchor, similar to Hilti Kwik Bolt. Embedded length is nominal, and minimum.
- 4 Minimum diameter, in accordance with vibration isolator manufacturer's submittal sheet.
- 5 Bolt dimensions of vibration isolators is as per their submittal sheet. Bolts are part of the isolator assembly, provided by manufacturer.
- 6 Approximate distance, depending upon neoprene compression.
- 7 Concrete floor, thickness may vary, shown for representation only.
- 8 Concrete housekeeping pad, typical.

Floor-Mount Transformer Mounting Details